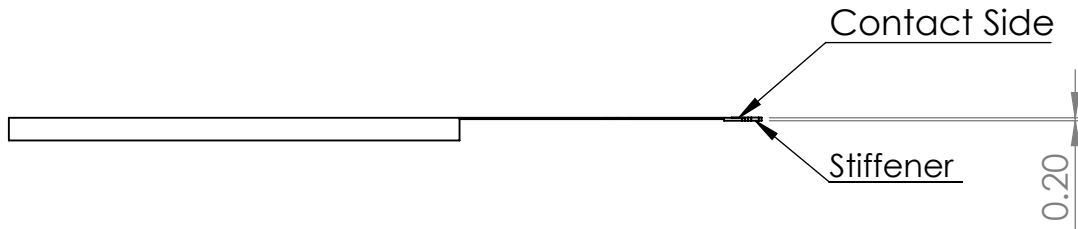
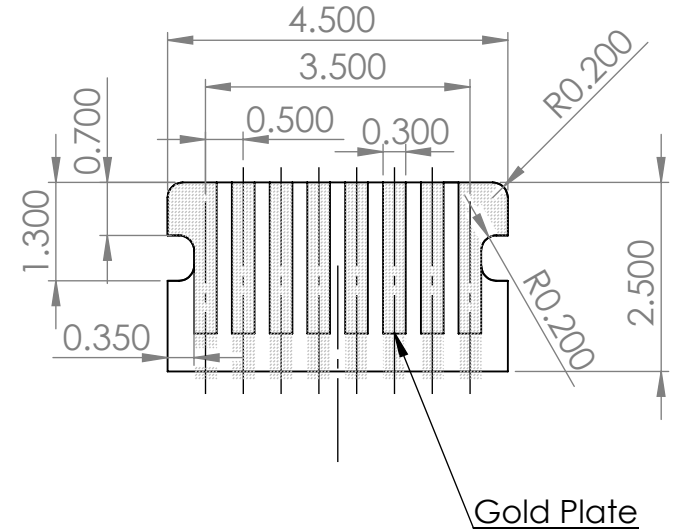
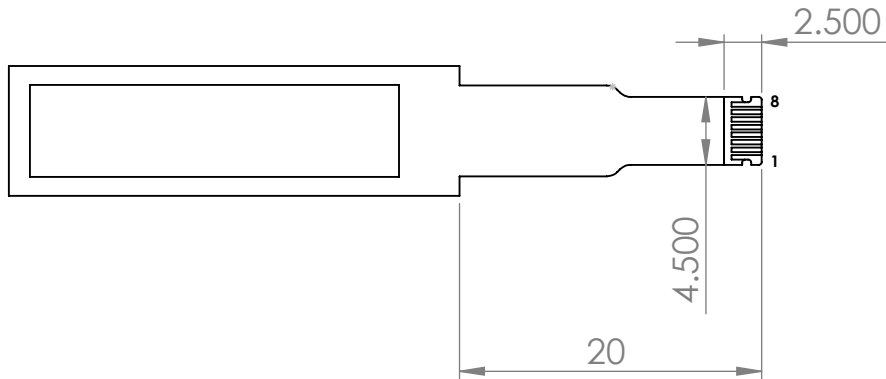


FPC and Stiffener Detail



Pin	Symbol
1	LEDA
2	GND
3	RESET
4	D/C
5	SDA
6	SCL
7	VDD
8	CS

Notes:

Tie LEDK and GND internally

For use with connector.

Connector manufacturer: FCI

Connector PN: 59453-08211CHLF

UNLESS OTHERWISE SPECIFIED:		NAME	DATE	TITLE:	
DIMENSIONS ARE IN mm	DRAWN			Evolv 160 x 40 FPC	
	CHECKED				
	ENG APPR.				
	MFG APPR.				
INTERPRET GEOMETRIC TOLERANCING PER:	Q.A.			SIZE	DWG. NO.
MATERIAL	COMMENTS:			A	
FINISH					REV
DO NOT SCALE DRAWING					2
				SCALE: 2:1	WEIGHT:
					SHEET 1 OF 1